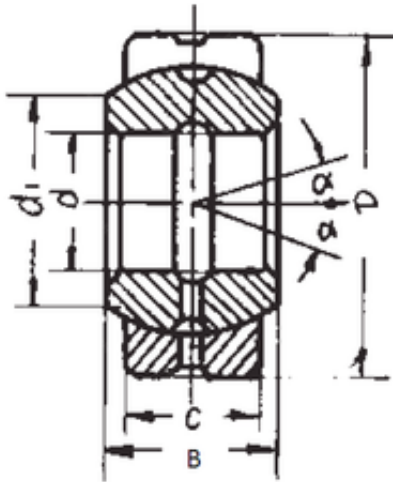




UBC Mechanical Electronic Instrument ...



180 mm x 260 mm x 105 mm 180 mm x 260 mm
x 105 mm FBJ GE180ES FBJ Bearing

Bearing No. GE180ES

Size	180x260x105 mm
Bore Diameter	180 mm
Outer Diameter	260 mm
Width	105 mm
d	180 mm
D	260 mm
B	105 mm
C	80 mm
d1	192 mm
Angle	6 °
Weight	18,65 Kg
Basic dynamic load rating (C)	1530 kN

GE180ES Bearing 2D drawings and 3D CAD models