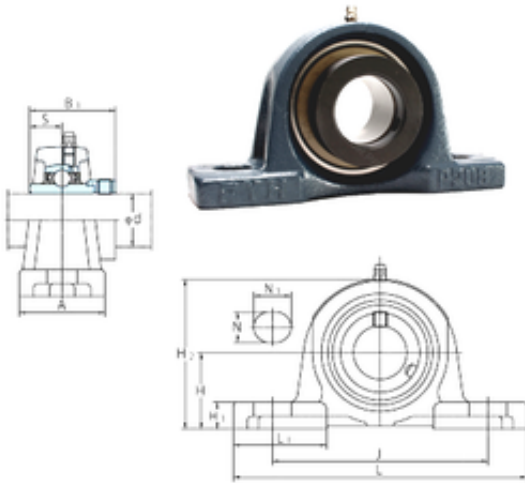




FYH NAP213 FYH Bearing



Bearing No. NAP213

|                               |         |
|-------------------------------|---------|
| Bore Diameter                 | 65 mm   |
| Width                         | 76,2 mm |
| d                             | 65 mm   |
| A                             | 70 mm   |
| B1                            | 85,7 mm |
| H                             | 76,2 mm |
| H1                            | 25 mm   |
| H2                            | 150 mm  |
| J                             | 203 mm  |
| L                             | 265 mm  |
| L1                            | 78 mm   |
| N                             | 25 mm   |
| N1                            | 30 mm   |
| S                             | 34,1 mm |
| Bolt (G)                      | M20     |
| Weight                        | 6,5 Kg  |
| Basic dynamic load rating (C) | 57,2 kN |

NAP213 Bearing 2D drawings and 3D CAD models