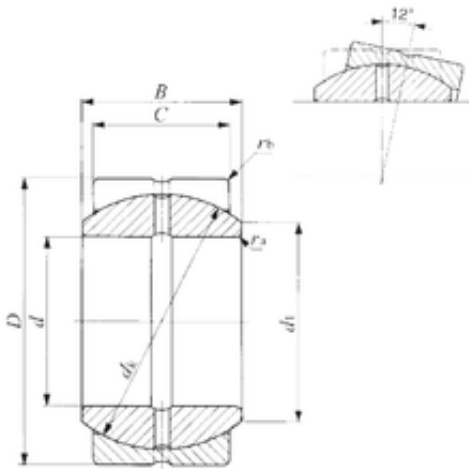




UBC Mechanical Electronic Instrument ...



25,4 mm x 41,275 mm x 22,22 mm 25,4 mm x
41,275 mm x 22,22 mm IKO SBB 16 IKO Bearing

Bearing No. SBB 16

Size	25.4x41.275x22.22 mm
Bore Diameter	25,4 mm
Outer Diameter	41,275 mm
Width	22,22 mm
d	25,4 mm
D	41,275 mm
B	22,22 mm
C	19,05 mm
d1	28 mm
dk	36 mm
ra max.	0,6 mm
rb max.	0,8 mm
Weight	0,125 Kg
Basic dynamic load rating (C)	67,3 kN

SBB 16 Bearing 2D drawings and 3D CAD models