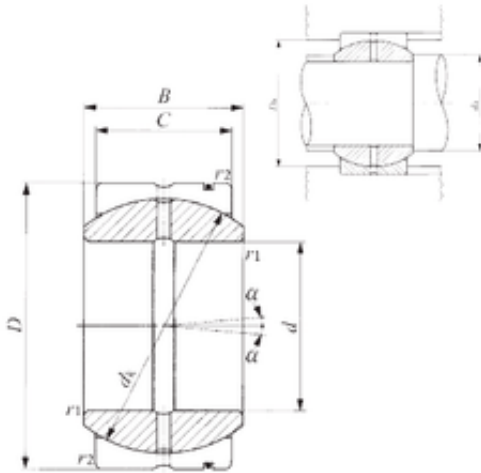




UBC Mechanical Electronic Instrument ...



115 mm x 180 mm x 98 mm 115 mm x 180 mm
x 98 mm IKO SB 11518098 IKO Bearing

Bearing No. SB 11518098

Size	115x180x98 mm
Bore Diameter	115 mm
Outer Diameter	180 mm
Width	98 mm
d	115 mm
D	180 mm
B	98 mm
C	85 mm
dk	165 mm
r min.	1 mm
da min.	120,5 mm
da max	132,5 mm
Da min	174,5 mm
Da max.	152 mm
Angle	5 °
Weight	10,3 Kg
Basic dynamic load rating (C)	1380 kN

SB 11518098 Bearing 2D drawings and 3D CAD models