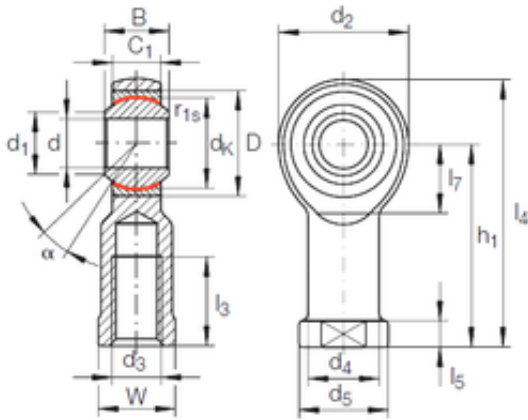




UBC Mechanical Electronic Instrument ...

18 mm x 35 mm x 23 mm 18 mm x 35 mm x 23 mm INA GIKL 18 PW INA Bearing



GIKL 18 PW Bearing 2D drawings and 3D CAD models

Bearing No. GIKL 18 PW

Size	18x35x23 mm
Bore Diameter	18 mm
Outer Diameter	35 mm
Width	23 mm
d	18 mm
D	35 mm
B	23 mm
d1	21,8 mm
d2	46 mm
d4	25 mm
dk	31,75 mm
h1	71 mm
l3 min.	32 mm
l4 max.	94 mm
l5	10 mm
l7 min.	25 mm
r1 min.	0,3 mm
C1	16,5 mm
W	27 mm
Thread (G)	M18X1,5
Angle	15 °
d5	31 r/min
Weight	0,32 Kg
Basic dynamic load rating (C)	47,5 kN