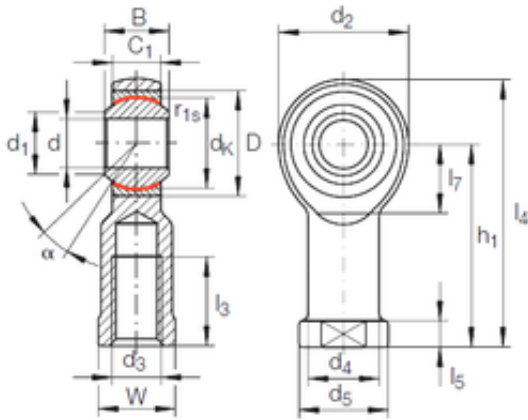




UBC Mechanical Electronic Instrument ...

12 mm x 26 mm x 16 mm 12 mm x 26 mm x 16 mm INA GIKL 12 PW INA Bearing



GIKL 12 PW Bearing 2D drawings and 3D CAD models

Bearing No. GIKL 12 PW

Size	12x26x16 mm
Bore Diameter	12 mm
Outer Diameter	26 mm
Width	16 mm
d	12 mm
D	26 mm
B	16 mm
d1	15,4 mm
d2	32 mm
d4	17,5 mm
dk	22,225 mm
h1	50 mm
l3 min.	22 mm
l4 max.	66 mm
l5	6,5 mm
l7 min.	17 mm
r1 min.	0,3 mm
C1	12 mm
W	19 mm
Thread (G)	M12
Angle	13 °
d5	22 r/min
Weight	0,1 Kg
Basic dynamic load rating (C)	24 kN